

## 주철 10K 가스식 수격방지기

### CAST IRON 10K WATER HAMMER CUSHION

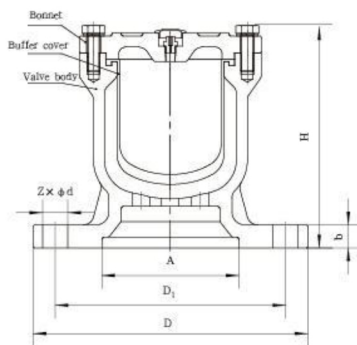


#### Main parts and materials

Parts name	Material
Body, Bonnet	Grey iron
Buffer	NBR

#### Specification

Applicable Fluid	Water
Working Pressure	Less than 10kgf/cm <sup>2</sup> (Max. 1.0MPa)
Applicable Temperature	Less than 60°C
Connection Method	10K FF Flange
Hydraulic Test	15kgf/cm <sup>2</sup> (1.5MPa)



#### Outline and connecting measurement

Size	D	b	z × φ d	H
40	140	20	4 × φ 19	180
50	155	20	4 × φ 19	185
65	175	21	4 × φ 19	199
80	185	21	8 × φ 19	211
100	210	22	8 × φ 19	230
125	250	22	8 × φ 23	246
150	280	23	8 × φ 23	255

\*The above specifications to be varied to suit your specific requirements.