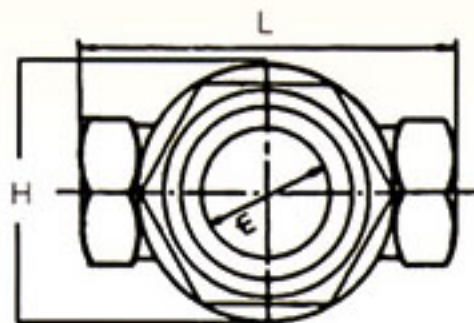


MODEL: SH-21

Sight Glass Screwed Ends

- Material: Cast Iron / CF8
- Size: 1/2"~2"



Material list

| Parts name | Material |
|------------|---------------------------|
| Body | Cast Iron / SUS 304 |
| Main part | SUS 304 |
| W.P. | 0.35-7 Kg/cm ² |
| W.T. | 100°C |

Dimensions

UNIT:M/M

| INCH | L | E | H | KG |
|--------|-----|----|-----|-----|
| 1/2" | 75 | 22 | 62 | 0.6 |
| 3/4" | 90 | 30 | 70 | 0.8 |
| 1" | 90 | 30 | 80 | 1.1 |
| 1 1/4" | 120 | 42 | 108 | 2.2 |
| 1 1/2" | 120 | 42 | 108 | 2.2 |
| 2" | 140 | 53 | 118 | 2.9 |

**Usage scope: steam, general liquid