

# SL-1S, SL-1F

- Plain
- Flap
- Ball
- Spinner
- Stainless
- Mica plate
- Protective wire mesh
- With protective cover

## ■Features

1. Mixed state or color of two component fluid can be checked.
2. Intermittent fluid flow can be checked.
3. Can be connected to horizontal/vertical piping.
4. Mica plate is used for this type of sight glass for steam condensate.

## ■Specifications

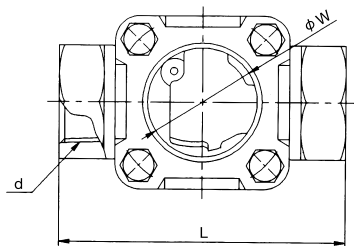
| Model                    | SL-1S   | SL-1F              |
|--------------------------|---|--------------------|
| Application              | Cold and hot water, Oil, Other non-dangerous fluids |                    |
| Maximum working pressure | 1.0 MPa   |                    |
| Max. temperature         | 150°C   |                    |
| Max. thermal shock       | 100°C   |                    |
| Material                 | Body  | Ductile cast iron  |
|                          | Glass   | Hardened glass     |
| Connection               | JIS Rc screwed                                      | JIS 10K FF flanged |

- Available with mica plate for steam condensate (SLM-1S-1F). However, maximum allowable working pressure is 0.6 MPa.
- Glass part is consumable supply.

## ■Dimensions (mm) and Weights (kg)

### · SL-1S

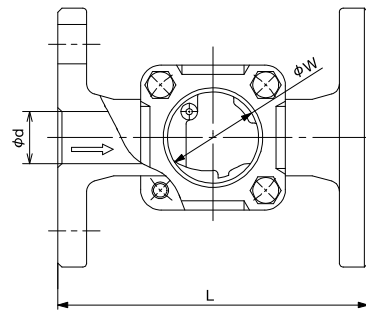
| Nominal size | d        | L   | W  | Weight |
|--------------|----------|-----|----|--------|
| 15A          | Rc 1/2   | 80  | 35 | 0.7    |
| 20A          | Rc 3/4   | 90  | 35 | 0.8    |
| 25A          | Rc 1     | 115 | 44 | 1.4    |
| 32A          | Rc 1-1/4 | 127 | 57 | 2.1    |
| 40A          | Rc 1-1/2 | 140 | 57 | 2.7    |
| 50A          | Rc 2     | 162 | 73 | 5.2    |



SL-1S

### · SL-1F

| Nominal size | d  | L   | W  | Weight |
|--------------|----|-----|----|--------|
| 15A          | 15 | 130 | 35 | 2.2    |
| 20A          | 20 | 130 | 35 | 2.6    |
| 25A          | 25 | 150 | 44 | 4.1    |
| 32A          | 32 | 160 | 57 | 5.7    |
| 40A          | 40 | 170 | 57 | 6.0    |
| 50A          | 50 | 200 | 73 | 9.3    |



SL-1F



SL-1S



SL-1F