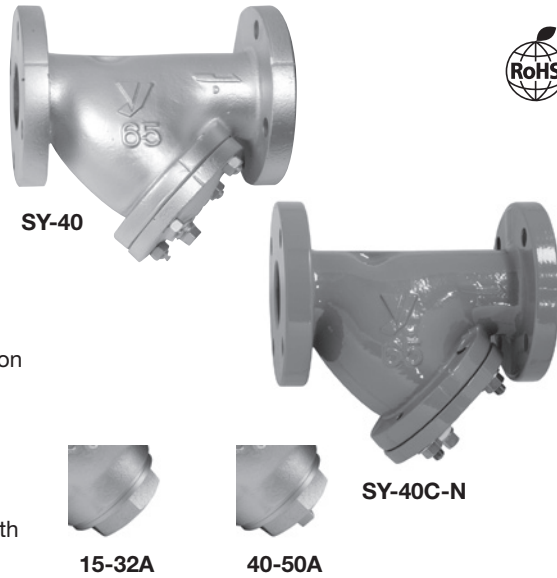


SY-40,40C-N



Y type	Basket	Duplex	Temporary
Stainless steel	Nylon	Carbon steel	Easy plug
Pipe end core	One-touch	With fine mesh	Davit



4
Strainer

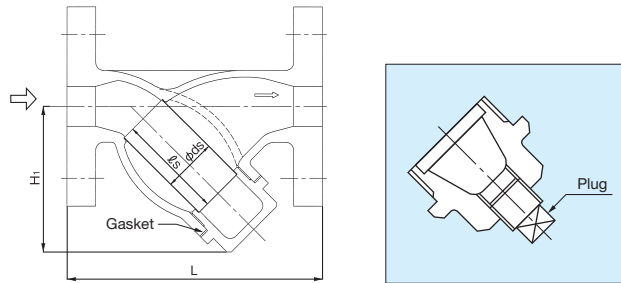
■Features

1. High-flow-rate marine type with the largest possible filtration area in view of decrease in flow rate caused by clogging.
2. 65A or more (in nominal size) is designed as compact as possible and reduced in weight, making plumbing easy.
3. The SY-40C-N (15A to 150A) offers excellent corrosion resistance since its inner and outer surfaces are coated with Nylon 12.

■Specifications

Model		SY-40	SY-40C
Application		Steam, Air, Cold and hot water, Other non-dangerous fluids	Air, Cold and hot water, Other non-dangerous fluids
Maximum pressure		1.0 MPa	
Maximum temperature		220°C	60°C
Material	Body	Ductile cast iron	
	Screen	Stainless steel	
Screen	Perforation	ϕ 2.5-7.21 holes/cm ²	
	Mesh	Standard 80 mesh	Standard 60 mesh
Connection		JIS 10K FF flanged	

- Available with 20 to 100 mesh screen (perforation: ϕ 2.5-7.21 holes/cm²) or only perforation (15A to 80A: ϕ 1.3-16.2 holes/cm², 100A or more: ϕ 1.5-11.2 holes/cm²) on request.
- Available with a brass plug (the standard is S15C or FCMB310).
- Available with rust-proof (65A or more).

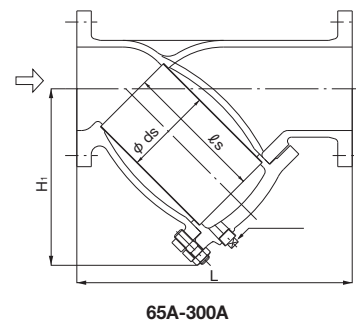


■Dimensions (mm) and Weights (kg)

Nominal size	L	H ₁	ds	ℓ _s	Plug	Weight
15A	130	61	22	40	-	1.9
20A	140	75	27	56	-	2.5
25A	160	88	34	66	-	4.0
32A	175	104	43	76	-	5.2
40A	190	115	50	85	R 1/2	6.7
50A	225	140	61	107	R 1/2	10.2
65A	255	167	73	125	R 1/2	14.5
80A	330	190	88	130	R 1/2	18.3
100A	370	225	108	180	R 3/4	29.7
125A	415	263	136	200	R 3/4	40.5
150A	495	315	160	250	R 3/4	66.0
200A	565	385	210	300	R 3/4	95.8
250A	690	460	260	370	R 3/4	167.5
300A	840	556	315	442	R 3/4	286.0

15A-50A

40A-50A

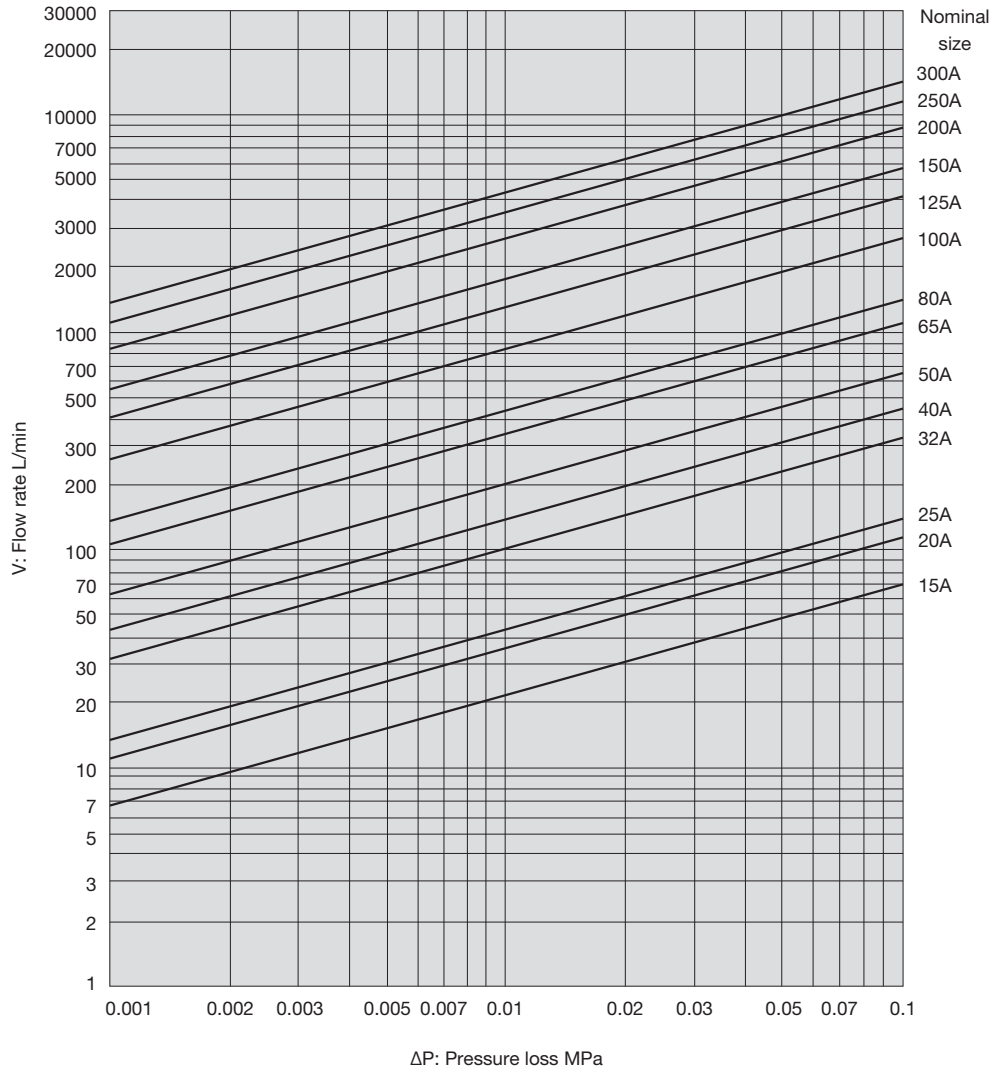


65A-300A

- A screwed cap is applied to 50A or less.
- Please do not use other than Yoshitake product.

■ Pressure Loss Chart (For Water)

· Screen: Perforation = $\phi 2.5-7.21$ holes/cm², Mesh = 80 mesh



Please refer to P. 4-12 for the information about how to look the chart, and calculating example.