

Figure	Nominal pressure	Material	Nominal diameter	Information / restriction of technical rules need to be observed!
12.405 / 12.460	PN16	EN-JL1040	DN15-250	ARI-Valves of EN-JL1040 are not allowed to be operated in systems acc. to TRD 110.
22.405 / 22.460	PN16	EN-JS1049	DN15-350	
23.405 / 23.460	PN25	EN-JS1049	DN15-150	A production permission acc. to TRB 801 No. 45 is available. (Acc. to TRB 801 No. 45 EN-JL1040 is not allowed.)
34.405 / 34.460	PN25	1.0619+N	DN15-500	
35.405 / 35.460	PN40	1.0619+N	DN15-500	The engineer, designing a system or a plant, is responsible for the selection of the correct valve.
54.405 / 54.460	PN25	1.4408	DN15-250	
55.405 / 55.460	PN40	1.4408	DN15-150	Resistance and fitness must be verified, contact manufacturer for information (refer to Product overview and Resistance list).
Other materials and versions on request.				

Stem sealing				
Fig. 405	standard		optional	
	DN15-150	DN200-500	DN15-500	DN15-500
	I. PTFE-V-ring unit -10°C to 220°C	II. PTFE-packing -10°C to 250°C	I. EPDM-sealing -10°C to 150°C (allowed for water and steam up to 180°C)	II. PTFE-packing (DN15-150) -10°C to 250°C II. Pure graphite-packing -10°C to 450°C
Fig. 460	standard		optional	
	DN15-500		DN15-100	DN125-500
	III. Stainless steel bellows seal with pure graphite-packing -60°C to 450°C		III. Stainless steel-bellow with V-ring unit -60°C to 220°C	III. Stainless steel-bellow with EPDM-sealing -60°C to 150°C (allowed for water and steam up to 180°C)

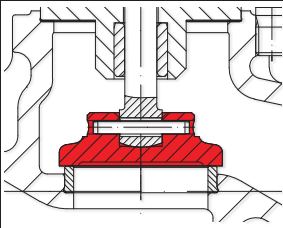
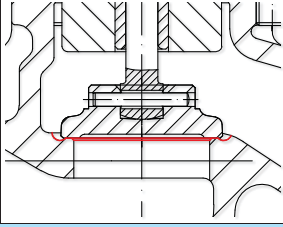
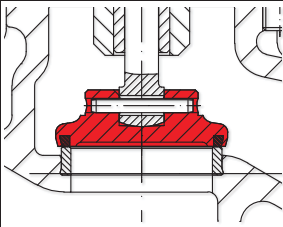
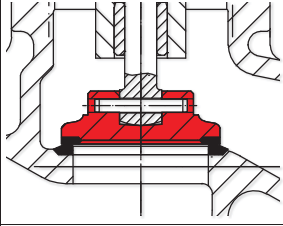
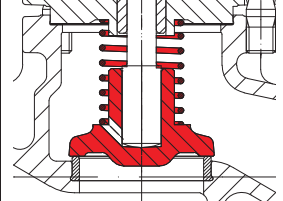
Pressure-temperature-ratings Intermediate values for max. permissible operational pressures can be determined by linear interpolation of the given temperature / pressure chart.

acc. to DIN EN 1092-2			-60°C to <-10°C ¹⁾	-10°C to 120°C	150°C	200°C	250°C	300°C	350°C	400°C	450°C
EN-JL1040	PN16	(bar)	--	16	14,4	12,8	11,2	9,6	--	--	--
EN-JS1049	PN16	(bar)	on request	16	15,5	14,7	13,9	12,8	11,2	--	--
EN-JS1049	PN25	(bar)	on request	25	24,3	23	21,8	20	17,5	--	--

acc. to manufacturers standard			-60°C to <-10°C ¹⁾	-10°C to 120°C	150°C	200°C	250°C	300°C	350°C	400°C	450°C
1.0619+N	PN25	(bar)	18,7	25	23,9	22	20	17,2	16	14,8	8,2
1.0619+N	PN40	(bar)	30	40	38,1	35	32	28	25,7	23,8	13,1

acc. to DIN EN 1092-1			-60°C to <-10°C ¹⁾	-10°C to 100°C	150°C	200°C	250°C	300°C	350°C	400°C	450°C
1.4408	PN40	(bar)	40	40	36,3	33,7	31,8	29,7	28,5	27,4	--

¹⁾ Valve with extended bonnet, studs and nuts made of A4-70 (at temperatures below -10°C)

Plug design standard		Guiding	
Isolation plug, metal seat	- Leakage class A acc. to DIN EN 12266		Stem
Stainless-steel with machined seat contour Isolation plug, metal seat	- Leakage class A acc. to DIN EN 12266		Stem
Plug design optional		Guiding	
Isolation plug with PTFE-soft seal (max. 200°C)	- Leakage class A acc. to DIN EN 12266		Stem
Isolation plug with armoured sealing edge	- Leakage class A acc. to DIN EN 12266		Stem
Screw down non-return plug with re-setting spring metal seat	- Leakage class A acc. to DIN EN 12266		Stem

Stop valve straight trough with electric actuator ARI-PREMIO / PREMIO-Plus 2G

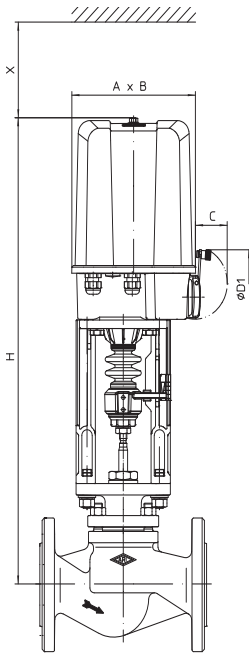


Fig. 405

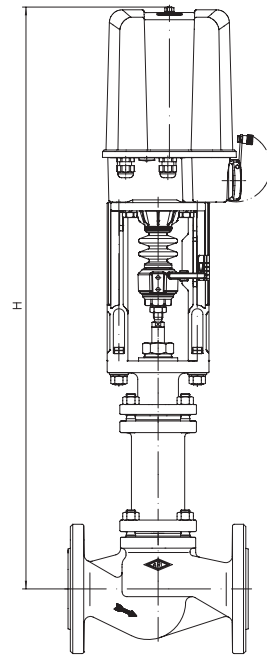


Fig. 460

Actuator data		2,2 - 5 kN	12 - 25 kN
A	(mm)	171	210
B	(mm)	156	184
C	(mm)	50	90
Ø D1	(mm)	90	130
X	(mm)	150	200

Technical data and accessories of actuators: refer to data sheet ARI-PREMIO / PREMIO-Plus 2G

Heights and weights

DN			15	20	25	32	40	50	65	80	100	125	150	200	250		
Fig. 405	2,2 kN	H	(mm)	551	551	559	560	566	572	585	--	--	--	--	--	--	
		PN16	(kg)	9	10	11	12	14	17	22	--	--	--	--	--	--	--
		PN40	(kg)	10	11	12	13	15	18	25	--	--	--	--	--	--	--
	5 kN	H	(mm)	551	551	559	560	566	572	585	601	620	678	--	--	--	--
		PN16	(kg)	10	11	12	13	15	18	23	29	39	54	--	--	--	--
		PN40	(kg)	11	12	13	15	17	20	27	33	45	63	--	--	--	--
	12 kN 15 kN	H	(mm)	--	--	--	--	740	746	759	775	794	832	892	981	1056	
		PN16	(kg)	--	--	--	--	19	22	27	33	43	58	84	156	270	
		PN40	(kg)	--	--	--	--	21	24	31	37	49	67	88	188	305	
	25 kN	H	(mm)	--	--	--	--	--	--	--	--	--	832	892	937	1012	
		PN16	(kg)	--	--	--	--	--	--	--	--	--	59	85	157	271	
		PN40	(kg)	--	--	--	--	--	--	--	--	--	68	89	189	306	
Fig. 460	2,2 kN	H	(mm)	736	736	744	744	735	737	821	--	--	--	--	--	--	
		PN16	(kg)	13	13	14	17	19	22	25	--	--	--	--	--	--	
		PN40	(kg)	15	17	19	22	28	31	38	--	--	--	--	--	--	
	5 kN	H	(mm)	736	736	744	744	735	737	821	833	849	906	--	--	--	
		PN16	(kg)	15	15	16	18	21	23	26	37	53	69	--	--	--	
		PN40	(kg)	17	18	21	24	30	32	39	49	66	81	--	--	--	
	12 kN 15 kN	H	(mm)	--	--	--	--	909	911	995	1007	1023	1060	1218	1417	1493	
		PN16	(kg)	--	--	--	--	25	27	30	41	57	73	104	150	230	
		PN40	(kg)	--	--	--	--	34	36	43	53	70	85	101	180	265	
	25 kN	H	(mm)	--	--	--	--	--	--	--	--	--	1060	1218	1417	1493	
		PN16	(kg)	--	--	--	--	--	--	--	--	--	74	105	151	231	
		PN40	(kg)	--	--	--	--	--	--	--	--	--	86	102	181	266	

Further dimensions refer to pages 18-21.

max. permissible closing pressures on flow-to-open P2 = 0.
 Observe pressure-temperature-limits, refer to page 2.

DN			15	20	25	32	40	50	65	80	100	125	150	200	250	
Kvs-value			(m ³ /h)	4,2	7,4	12	19	31	47	77	120	188	288	410	725	1145
max. diff. pressure ¹⁾			(bar)	2								1,5		1	0,8	
Seat-Ø			(mm)	21		27	31	41	51	66	81	101	126	151	201	251
Travel			(mm)	4	5	7	8	10	13	17	20	25	32	38	50	65
2,2 kN	Closing pressure	I. (bar)	36,2	36,2	21,6	14,8	7,1	3,5	1,1							
		II. (bar)	33,3	33,3	19,7	13,4	6,2	3								
		III. (bar)	23,6	23,6	18,1	12,2	5	2,2								
	Operating time	(s)	11	13	18	21	26	34	45							
Operating speed ²⁾			(mm/s)	0,38												
5 kN	Closing pressure	I. (bar)	40	40	40	40	26,2	15,9	8,6	5,1	2,8	1,3				
		II. (bar)	40	40	40	40	25,4	15,4	8,2	4,8	2,6	1,2				
		III. (bar)	40	40	40	40	24,2	14,6	7,9	4,6	2,5	1,1				
	Operating time	(s)	11	13	18	21	26	34	45	53	66	84				
Operating speed			(mm/s)	0,38												
12 kN	Closing pressure	I. (bar)					40	40	27,5	17,7	11	6,6	4,3	2,1	1,1	
		II. (bar)					40	40	27,1	17,4	10,8	6,5	4,2	2	1,1	
		III. (bar)					40	40	26,8	17,2	10,7	6,4	4,1	2	1,1	
	Operating time	(s)					26	34	45	53	66	84	100	132	171	
Operating speed			(mm/s)					0,38								
15 kN	Closing pressure	I. (bar)							35,6	23,1	14,5	8,9	5,9	3	1,7	
		II. (bar)							35,2	22,8	14,3	8,7	5,8	2,9	1,7	
		III. (bar)							34,9	22,6	14,2	8,7	5,7	2,9	1,7	
	Operating time	(s)							45	53	66	84	100	132	171	
Operating speed			(mm/s)						0,38							
25 kN	Closing pressure	I. (bar)										16,5	11,2	6,0	3,7	
		II. (bar)										16,3	11,1	5,9	3,6	
		III. (bar)										16,2 ³⁾	11,0	5,9	3,7	
	Operating time	(s)										84	100	132	171	
Operating speed			(mm/s)									0,38				

Further operating speeds: refer to data sheet ARI-PREMIO / PREMIO-Plus 2G

$\text{Operating time [s]} = \frac{\text{Travel [mm]}}{\text{Operating speed [mm/s]}}$
--

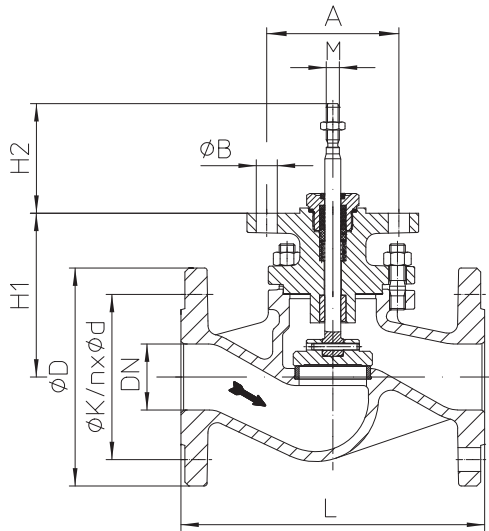
- I. Fig. 405: PTFE-V-ring unit (DN15-150) / EPDM-sealing
- II. Fig. 405: PTFE- / pure graphite-packing
- III. Fig. 460: Bellows seal

¹⁾ max. differential pressure drop

²⁾ Based on a frequency of 50Hz the control speed and power consumption of the synchronous motors PREMIO 2,2kN are 20% higher at frequency of 60 Hz.

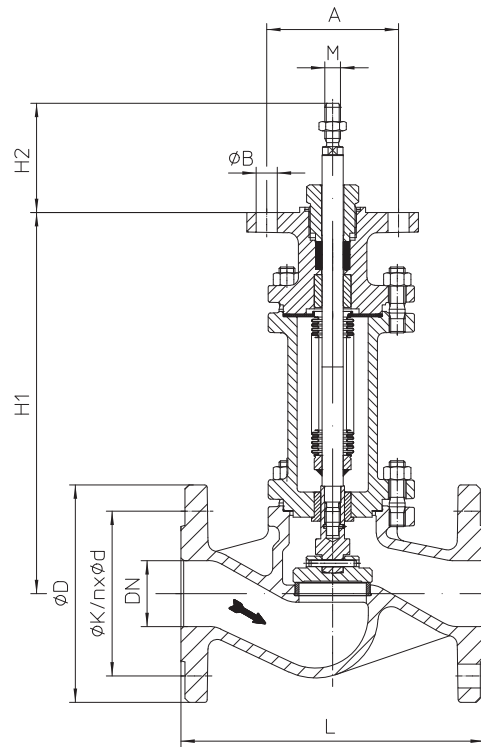
³⁾ Connection M20

Straight through stop valve


Fig. 405

DN15-150

(e.g.: DP32-34; PREMIO 2,2-15kN; AUMA 07.2-10.2)


Fig. 460

DN15-150

(e.g.: DP32-34; PREMIO 2,2-15kN; AUMA 07.2-10.2)

DN	15	20	25	32	40	50	65	80	100	125	150			
Dimensions														
M	Fig. 405 Fig. 460	(mm)	M10				M12			M14 x 1,5		M16 x 1,5		
H1	Fig. 405 Fig. 460	(mm)	103	111	112	118	124	137	153	172	210	270		
H2	Fig. 405 / 460	(mm)	83											
A	Fig. 405 / 460	(mm)	100											
n x ØB	Fig. 405 / 460	(mm)	2 x 16											
Face-to-face dimension FTF series 1 according to DIN EN 558														
L	(mm)	130	150	160	180	200	230	290	310	350	400	480		
Flanges acc. to DIN EN 1092-1/2		Flange holes / -thickness tolerances acc. to DIN 2533/2544/2545												
ØD	PN16	(mm)	95	105	115	140	150	165	185	200	220	250	285	
	PN25	(mm)									235	270	300	
	PN40	(mm)									180	210	240	
ØK	PN16	(mm)	65	75	85	100	110	125	145	160	190	220	250	
	PN25	(mm)									180	210	240	
	PN40	(mm)									190	220	250	
n x Ød	PN16	(mm)	4x14				4x18			4x18	8x18	8x18	8x18	8x22
	PN25	(mm)	4x14				4x18			8x18		8x22	8x26	8x26
	PN40	(mm)	4x14				4x18			8x18		8x22	8x26	8x26
Weights														
Fig. 405	PN16 (JL1040)	(kg)	3,6	4,3	5,2	6,8	8,7	11,6	16,7	22,4	32,5	47	73	
	PN40 (1.0619+N)	(kg)	4,3	5,2	6,1	7,5	10	13	20	26	38,7	57	77	
Fig. 460	PN16 (JL1040)	(kg)	8	8	9	11,5	14	16,5	19,5	30,5	46	54	84	
	PN40 (1.0619+N)	(kg)	10	11,5	14	17	23	25,5	32,5	42,5	59	62	90	
max. permissible thrust														
Fig. 405	(kN)	12,7				29,5			40,6					
Fig. 460	(kN)	18,2				18			37					

Straight through stop valve

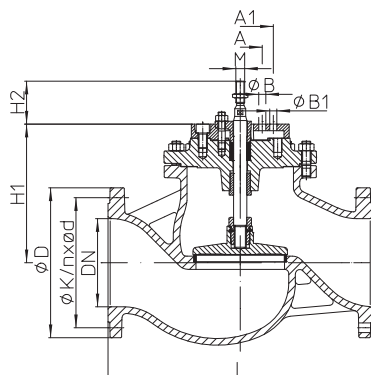


Fig. 405

DN125-250

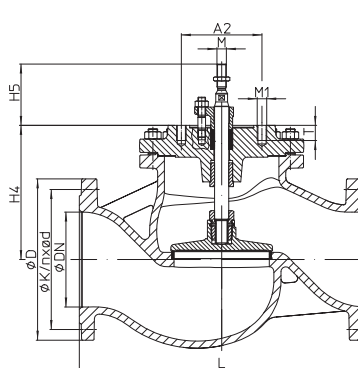
 (e.g.: DN125-150: DP34T-34Tri);
 DN200-250: DP34-34Tri; PREMIO 12-15kN)


Fig. 405

DN125-250

(e.g.: DN200-250; AUMA 07.6 - 10.2)

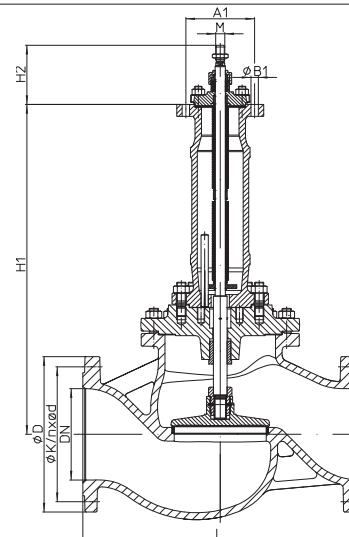


Fig. 460

DN125-250 M20

 (e.g.: DN125-150 with DP 34T-34Tri;
 DN200-250 with DP34-34 Tri)

DN	125	150	200	250
----	-----	-----	-----	-----

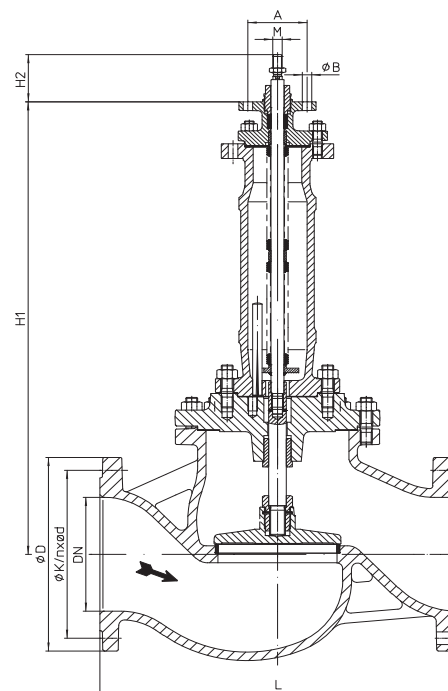
Dimensions							
M	Fig. 405	(mm)	M20				
	Fig. 460	(mm)	M20	M16	M20	M16	M20
H1	Fig. 405	(mm)	230	261	315		375
	Fig. 460	(mm)	637	668	795	722	856
H2	Fig. 405	(mm)	98				
	Fig. 460	(mm)	130	83	130	83	130
H4	Fig. 405	(mm)	198	229	283		343
H5	Fig. 405	(mm)	130				
A	Fig. 405	(mm)	100				
	Fig. 460	(mm)		100		100	
n x phi B	Fig. 405	(mm)	2 x 16				
	Fig. 460	(mm)		2 x 16		2 x 16	
A1	Fig. 405	(mm)	150				
	Fig. 460	(mm)	150		150		150
n x phi B1	Fig. 405	(mm)	4 x 16				
	Fig. 460	(mm)	4 x 16		4 x 16		4 x 16
A2	Fig. 405	(mm)	170				
n x M1	Fig. 405	(mm)	8 x M20				
T	Fig. 405	(mm)	32				

Face-to-face dimension FTF series 1 according to DIN EN 558					
L	(mm)	400	480	600	730

Flanges acc. to DIN EN 1092-1/2						
ØD	PN16	(mm)	250	285	340	405
	PN25	(mm)	270	300	360	425
	PN40	(mm)			375	450
ØK	PN16	(mm)	210	240	295	355
	PN25	(mm)			310	370
	PN40	(mm)	220	250	320	385
n x ød	PN16	(mm)	8 x 18	8 x 22	12 x 22	12 x 26
	PN25	(mm)			12 x 26	12 x 30
	PN40	(mm)	8 x 26	8 x 26	12 x 30	12 x 33

Weights						
Fig. 405	PN16 (JL1040)	(kg)	59	84	145	259
	PN40 (1.0619+N)	(kg)	65	86	177	291
Fig. 460	PN16 (JL1040)	(kg)	82	105	139	219
	PN40 (1.0619+N)	(kg)	91	111	169	254

max. permissible thrust		
Fig. 405	(kN)	59,1
Fig. 460	(kN)	34


 Fig. 460 DN200-250 M16
 (e.g.: PREMIO 12-15kN;
 AUMA 07.6 - 10.2)

Straight through stop valve

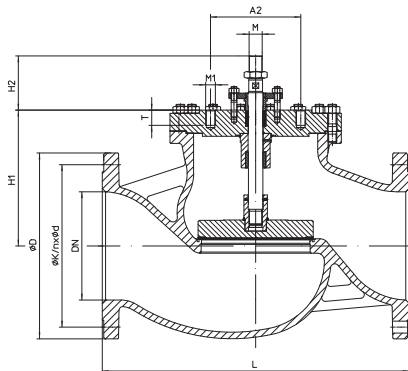


Fig. 405

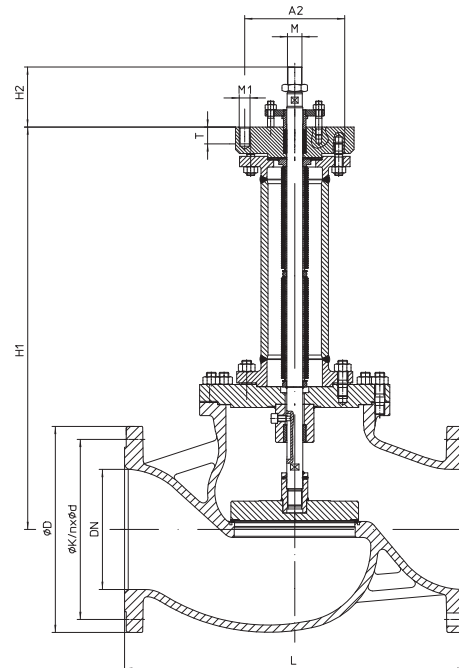
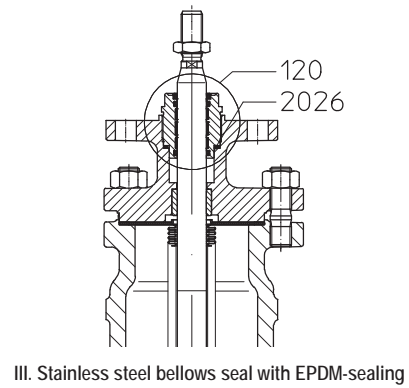
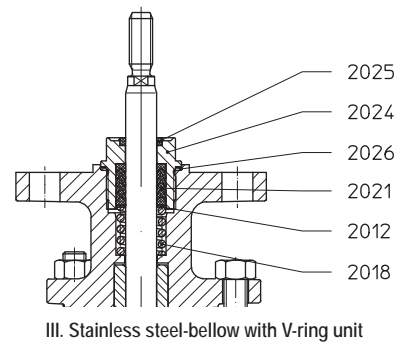
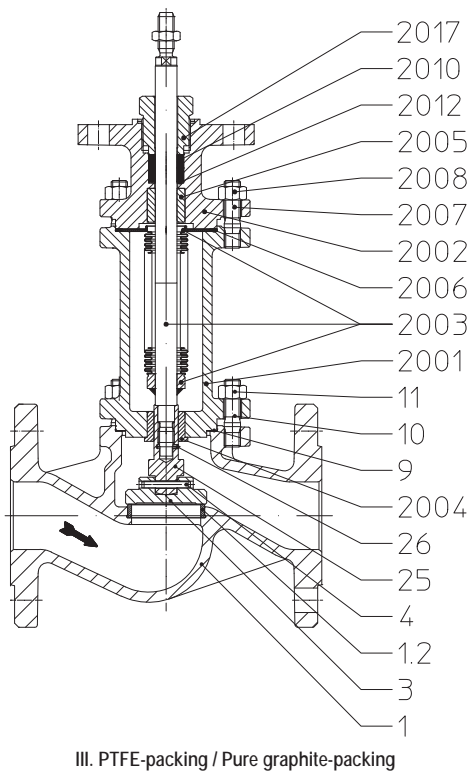


Fig. 460

DN	300		350		400		500			
Dimensions										
M	Fig. 405 / 460	(mm)	M36 x 1,5							
H1	Fig. 405	(mm)	377	434	471	558				
	Fig. 460	(mm)	1005	1063	1082	1180				
H2	Fig. 405 / 460	(mm)	150							
A2	Fig. 405 / 460	(mm)	170	250	170	250	170	250	170	250
n x M1	Fig. 405 / 460	(mm)	4 x M20	4 x M27	4 x M20	4 x M27	4 x M20	4 x M27	4 x M20	4 x M27
T	Fig. 405 / 460	(mm)	35	42	35	42	35	42	35	42
Face-to-face dimension FTF series 1 according to DIN EN 558										
L	(mm)	850	980	1100	1350	(acc. to manufacturers standard)				
Flanges acc. to DIN EN 1092-1/-2										
ØD	PN16	(mm)	460	520	--	--				
	PN25	(mm)	485	555	620	730				
	PN40	(mm)	515	580	660	755				
ØK	PN16	(mm)	410	470	--	--				
	PN25	(mm)	430	490	550	660				
	PN40	(mm)	450	510	585	670				
n x Ød	PN16	(mm)	12 x 26	16 x 6	--	--				
	PN25	(mm)	16 x 30	16 x 33	16 x 36	20 x 36				
	PN40	(mm)	16 x 33	16 x 36	16 x 39	20 x 42				
Weights										
Fig. 405	PN40 (1.0619+N)	(kg)	402	547	839	1197				
Fig. 460	PN40 (1.0619+N)	(kg)	493	634	900	1267				
max. permissible thrust										
Fig. 405 / 460	(kN)	250								



Pos.	Sp.p.	Description	Fig. 12.460	Fig. 22.460 / Fig. 23.460	Fig. 34.460 / Fig. 35.460	Fig. 55.460
1		Body	EN-GJL-250 , EN-JL1040	EN-GJS-400-18U-LT, EN-JS1049	GP240GH+N, 1.0619+N	GX5CrNiMoTi17-12-2, 1.4408
1.2		Seat ring	X20Cr13+QT, 1.4021+QT		X20Cr13+QT, 1.4021+QT >DN50: G19 9 Nb Si, 1.4551	--
3	x	Plug	X20Cr13+QT, 1.4021+QT			X6CrNiMoTi17-12-2, 1.4571
4	x	Spring-type straight pin	X10CrNi18-8, 1.4310			
9	x	Gasket	Pure graphite (CrNi laminated with graphite)			
10		Stud	25CrMo4, 1.7218			A4 - 70
11		Hexagon nuts	C35E, 1.1181			A4
25	x	Stem adapter	X20Cr13+QT, 1.4021+QT			X6CrNiMoTi17-12-2, 1.4571
2001		Bellows housing	EN-GJS-400-18U-LT, EN-JS1049		GP240GH+N, 1.0619+N	GX5CrNiMo19-11-2, 1.4408
2002		Mounting bonnet	EN-GJS-400-18U-LT, EN-JS1049		GP240GH+N, 1.0619+N	GX5CrNiMo19-11-2, 1.4408
2003	x	Stem- / Bellows unit	X20Cr13+QT, 1.4021+QT / X6CrNiTi18-10, 1.4541			X6CrNiMoTi17-12-2, 1.4571
2004		Guide bushing	X20Cr13+QT, 1.4021+QT (hardened)			X6CrNiMoTi17-12-2, 1.4571
2005		Guide bushing	X20Cr13+QT, 1.4021+QT (hardened)			X6CrNiMoTi17-12-2, 1.4571
2006	x	Gasket	Pure graphite (CrNi laminated with graphite)			
2007		Stud	25CrMo4, 1.7218			A4 - 70
2008		Hexagon nuts	C35E, 1.1181			A4
2010	x	Packing ring	Pure graphite			
2012	x	Washer	X5CrNi18-10, 1.4301			
2017	x	Screw joint	X8CrNiS18-9, 1.4305			
2012	Set: refer to Pos. 100	Washer	X5CrNi18-10, 1.4301			
2018		Compression spring	X10CrNi18-8, 1.4310			
2021		V-ring unit	PTFE			
2024		Screw joint	X8CrNiS18-9, 1.4305			
2025		Scraper	PTFE			
2026		Gasket	X6CrNiMoTi17-12-2, 1.4571			

Stem sealings Fig. 460						
2010	x	Packing ring	Pure graphite			
100	x	V-ring unit (set)	Set of: Pos. 2012 - 2026			
120	x	EPDM-sealing	EPDM / X20Cr13+QT, 1.4021+QT		Set of: Pos. 45.1 - 45.5	
L Spare parts						